



# C1

2U Passive Air Cooler

**PRODUCT SPECIFICATIONS**

Specification Version: 07/28/2023

*(Specifications are subject to change without notice)*

## C1| Socket LGA 7529

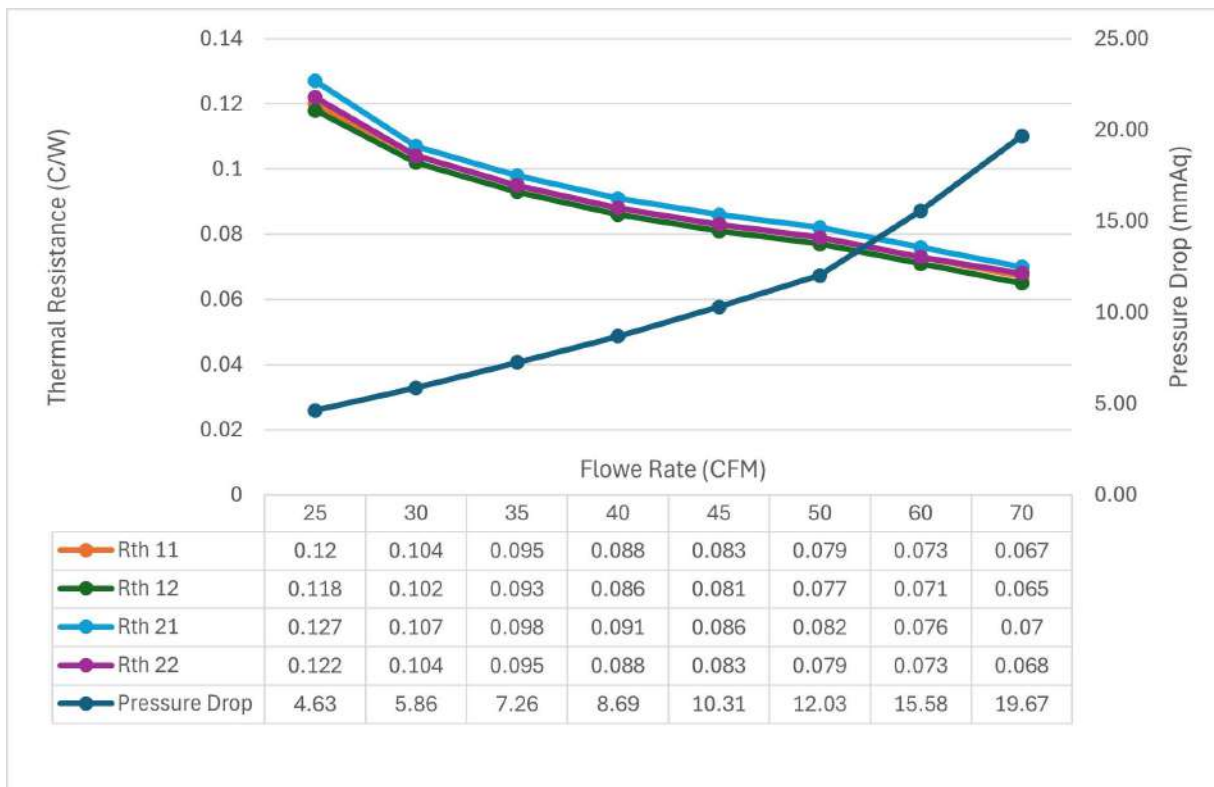
### Model Number: C1

- Recommend for Intel® CPU as following
  - Intel® Granite Rapid AP (Socket LGA 7529)
- Passive Air Cooler for 2U Server and Up

### Overall Specification

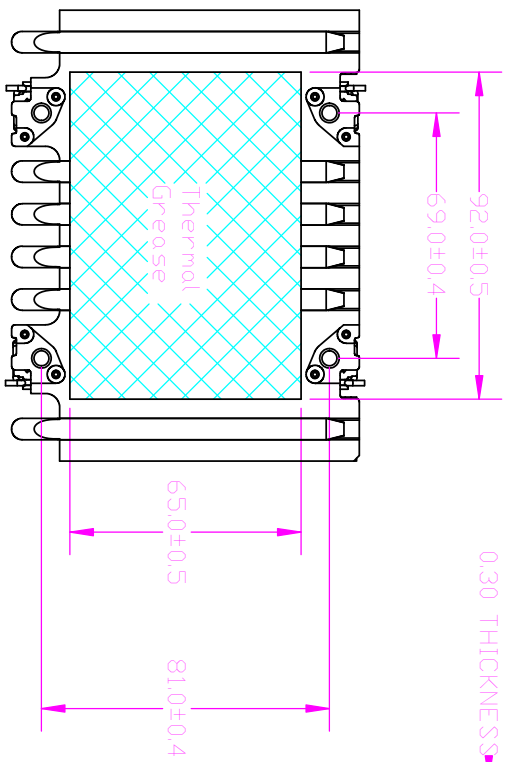
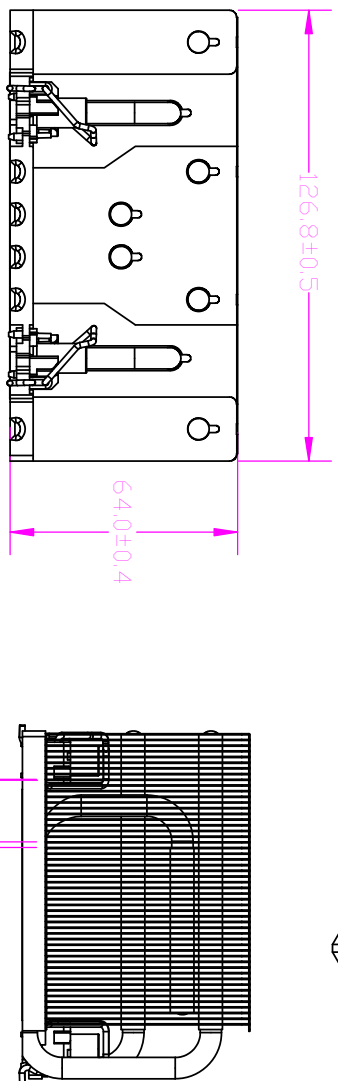
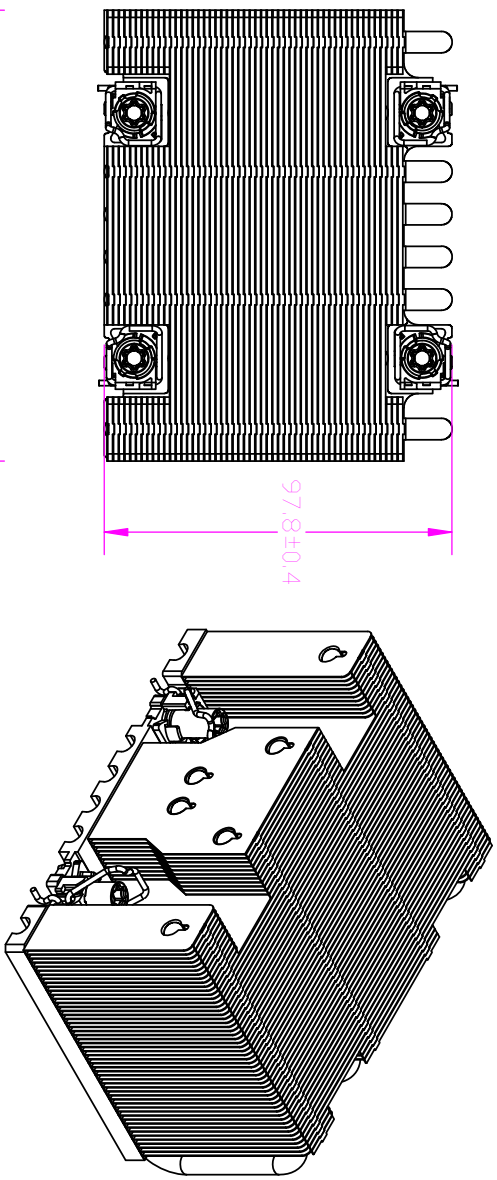
Dimension	126.8 x 97.8 x 64.0 mm
Weight	650 g
Material	Aluminum Fin with heat pipe
Thermal Grease	Shin-Etsu X23-8079-2 Pre-Printed
TDP	450W@40°C ambient

### Performance Chart: Passive Cooler C1 Thermal Resistance Thermal Resistance & Pressure Drop vs. Air Flow rate






REV.#	DESCRIPTION	CHECKER	DATE
0.0	INITIAL RELEASE	JUN	07/27/23



NAME	DATE
DRAWN BY JUN	8/11/2023
CHECKED BY JUN	8/11/2023
ENG. APPROVED	
MFG. APPROVED	

  
**DYNATRON CORPORATION**  
 TOP MOTOR  
 TITLE:  
 2U PASSIVE AIR COOLER C1  
 OVERALL DIMENSION DRAWING

**CONFIDENTIAL DOCUMENT**  
 THIS DRAWING CONTAINS INFORMATION PROPRIETARY TO DYNATRON CORPORATION AND DYNAEON INDUSTRIAL CO., LTD. ANY REPRODUCTION, DISCLOSURE, OR USE OF THIS DRAWING IS EXPRESSLY PROHIBITED EXCEPT AS DYNATRON CORPORATION AND DYNAEON INDUSTRIAL CO., LTD. MAY OTHERWISE AGREE TO IN WRITING.

VIEW	UNITS	DWG. No:	REV.
 MM		DYN-BD-C1	0.0